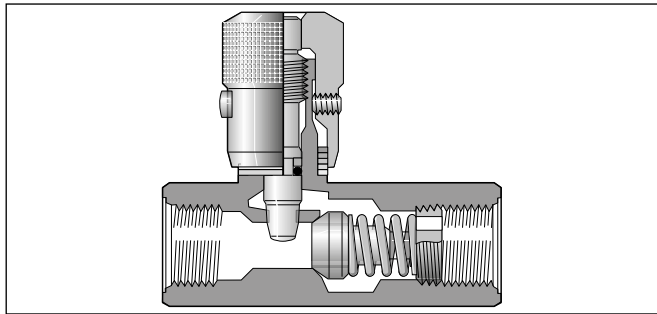
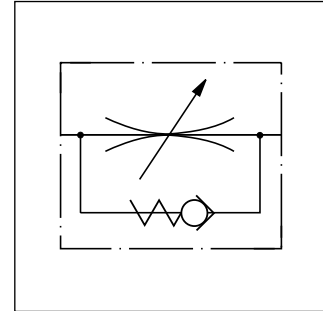
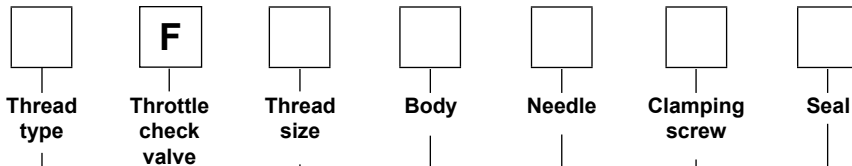


Characteristics / Ordering Code

Manatrol throttle check valves of series F with fine adjustment of the flow rate for a defined flow direction. The built-in check valve allows free flow in the counter direction with low flow resistance. A 2-stage needle provides very exact setting of smaller flow rates with the first three rotations of the adjustment knob. After 3 more rotations, the valve is completely open. The valve setting can be locked with the locking screw.



Ordering code



Code	Thread
omit	NPTF
9 ¹⁾	BSPP

Code	Seal
omit	NBR
V	FPM

Code	Size
200	1/8
400	1/4
600	3/8
800	1/2
1200	3/4
1600	1
2000	1¼
2400	1½
3200	2

Code	Clamping screw
omit	Hexagon socket
F	With knurled knob
T	Tamper-proof

Code	Needle
omit	Standard 2-stage needle
4 ³⁾	Micro-fine hollow needle with slot

¹⁾ Not for size 3200.
²⁾ Only for sizes 200 to 1600.
³⁾ Only for sizes 200 to 600.

Code	Body
S	Steel
B ²⁾	Brass

Bold letters = Short-term availability

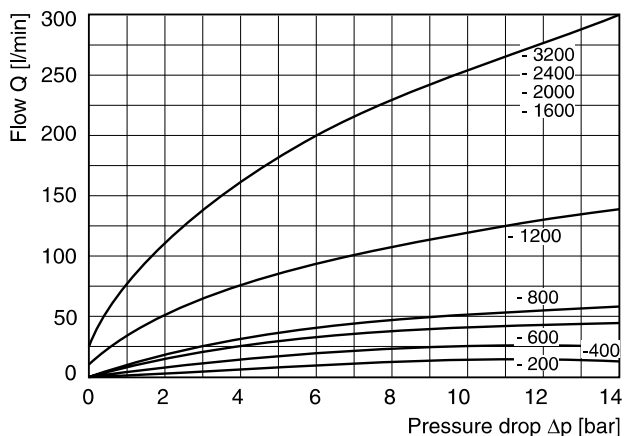
10

Technical data

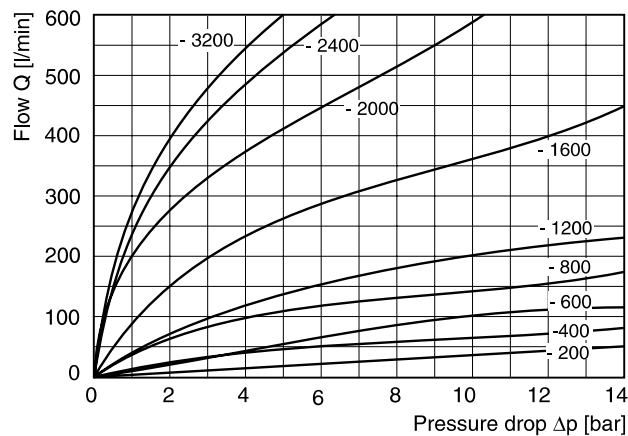
Return check poppet	0.4 bar
Nominal cracking pressure	
Operating temperature	-40 °C to +121 °C

Size	Pressure [bar]		Max. flow [l/min Δp10bar]	Throttle surface [cm²]	Throttle v. open Kv factor	Weight [kg]	
	Steel	Brass				Steel	Brass
200	350	140	11	0.066	3.3	0.13	0.13
400	350	140	25	0.13	6.3	0.23	0.23
600	350	140	40	0.22	11.2	0.31	0.31
800	350	140	50	0.28	14	0.67	0.68
1200	210	140	120	0.70	35.4	1.17	1.18
1600	210	35	250	1.48	75	2.31	2.32
2000	210	-	250	1.48	75	3.67	-
2400	210	-	250	1.48	75	4.62	-
3200	210	-	250	1.48	75	7.78	-

Controlled flow vs. pressure drop needle fully open



Free flow vs. pressure drop needle fully open

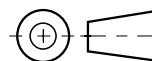
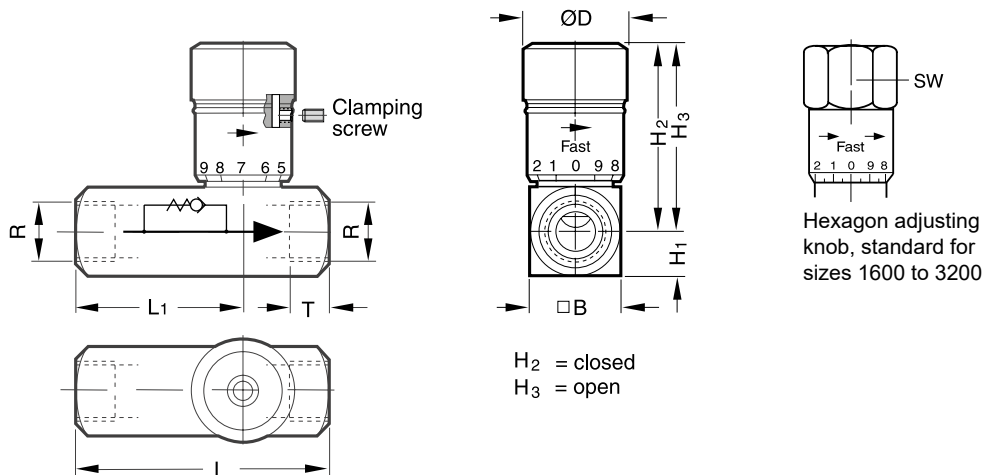


All characteristic curves measured with HLP46 at 50 °C.

$$\text{Flow rate } Q \text{ [l/min]} = K_v \cdot \sqrt{\frac{\Delta p}{\gamma}}$$

K_v from the table
 Δp [bar]
 γ [kg/dm³] = specific weight of the medium
 (γ for mineral oil = 0.85 - 0.9)

10



Size	R*	H3	H2	H1	B	L1	L	ØD	SW	T
200	1/8	39	35	8	16	36	51	19	-	9
400	1/4	46	40	10.5	21	43	67	21	-	13
600	3/8	55	49	13	26	45	70	25	-	13
800	1/2	69	61	16	32	57	87	30	-	16
1200	3/4	86	71	19	38	65	99	35	-	17
1600	1	124	107	22.5	45	83	127	-	47.8	20
2000	1 1/4	130	114	29	58	99	143	-	-	21.5
2400	1 1/2	137	120	35	70	114	143	-	-	23.5
3200	2	146	130	44.5	89	134	165	-	-	25

* Pipe thread G or NPTF